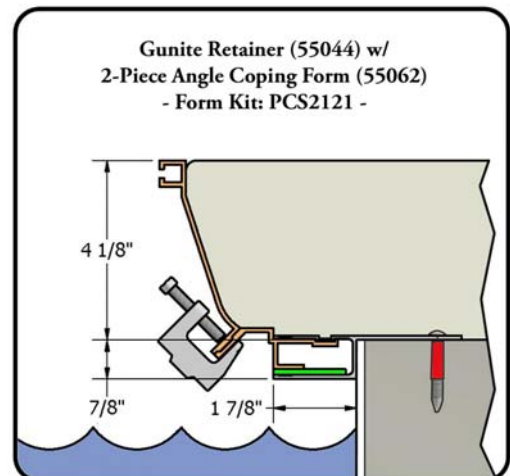
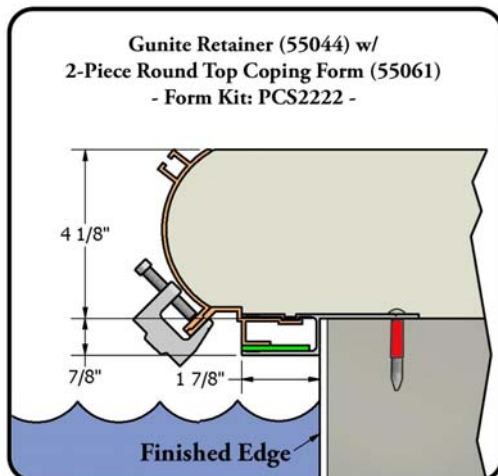
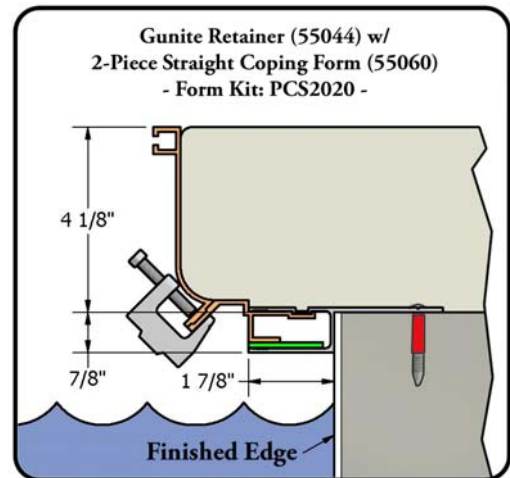
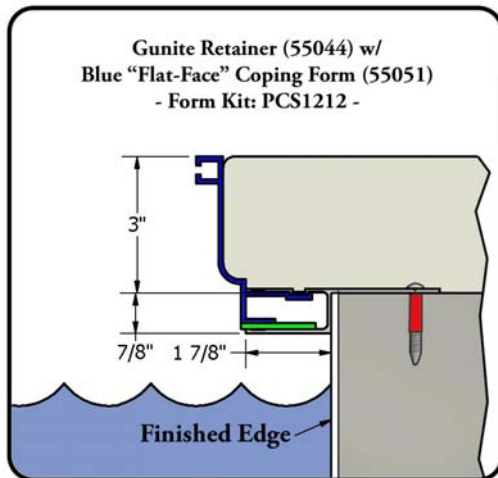
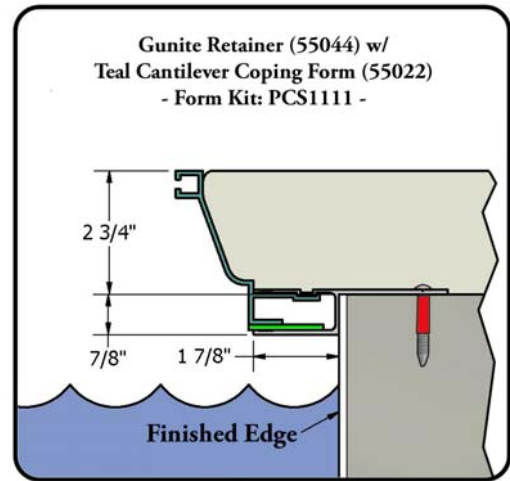
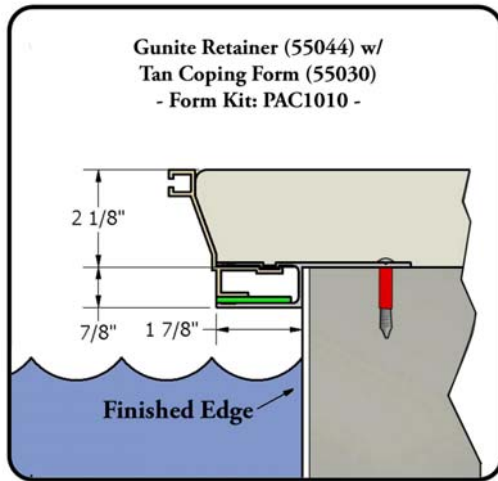


Coping Options for Gunite Pools

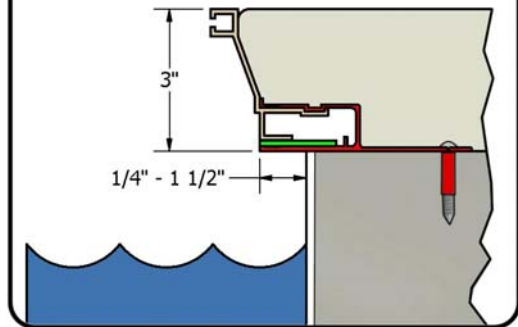
For gunite pools, PCS offers two Retainer options:

- **Standard Gunite Retainer (55044; Retainer Kit #GRO4100)**
- **(2007) Gunite Retainer w/ Ext. Flange (55050; Retainer Kit #GRO4000)**

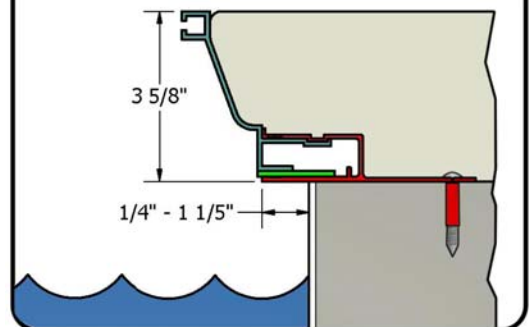
Both of these Retainers are compatible with all six of our Coping Forms. The following illustrations give specs for the Retainer / Coping applications.



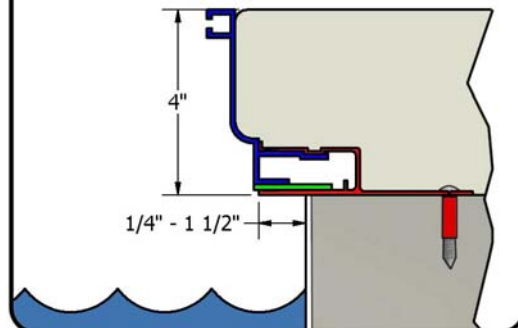
(2007) Gunite Retainer, Ext. Flange (55050) w/
Tan Coping Form (55030)
- Form Kit: PAC1010 -



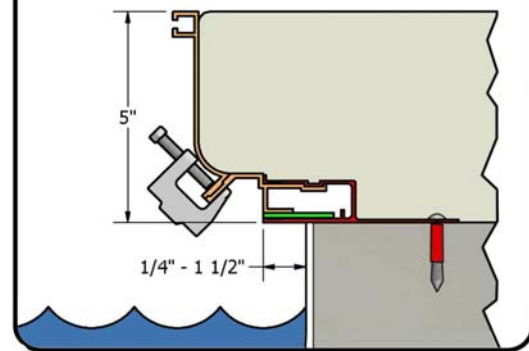
(2007) Gunite Retainer, Ext. Flange (55050) w/
Teal Cantilever Coping Form (55022)
- Form Kit: PCS 1111 -



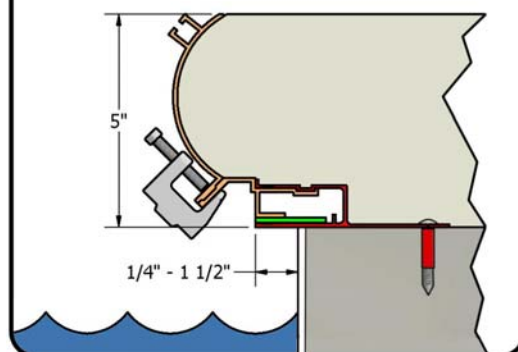
(2007) Gunite Retainer, Ext. Flange (55050) w/
Blue "Flat-Face Coping Form (55051)
- Form Kit: PCS 1212 -



(2007) Gunite Retainer, Ext. Flange (55050) w/
2-Piece Straight Coping Form (55060)
- Form Kit: PCS2020 -



(2007) Gunite Retainer, Ext. Flange (55050) w/
2-Piece Round Top Coping Form (55061)
- Form Kit: PCS2222 -



(2007) Gunite Retainer, Ext. Flange (55050) w/
2-Piece Angle Coping Form (55062)
- Form Kit: PCS2121 -

