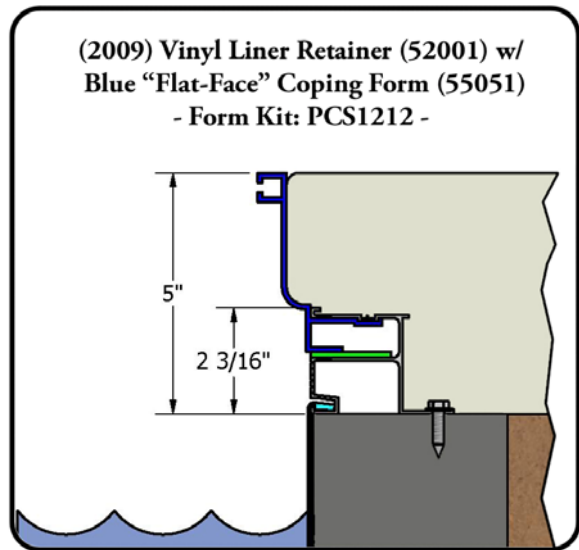
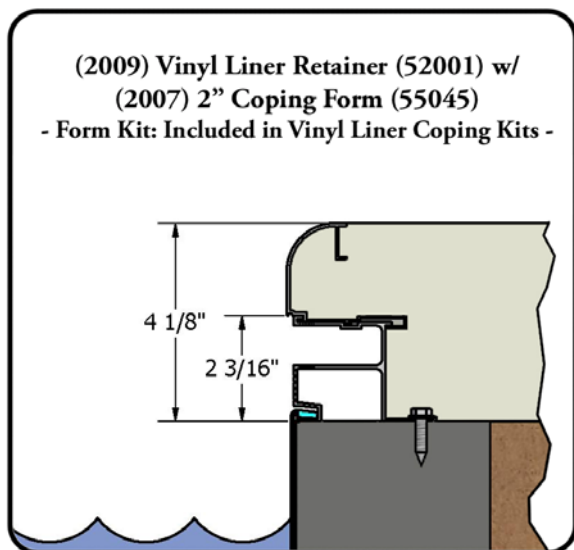
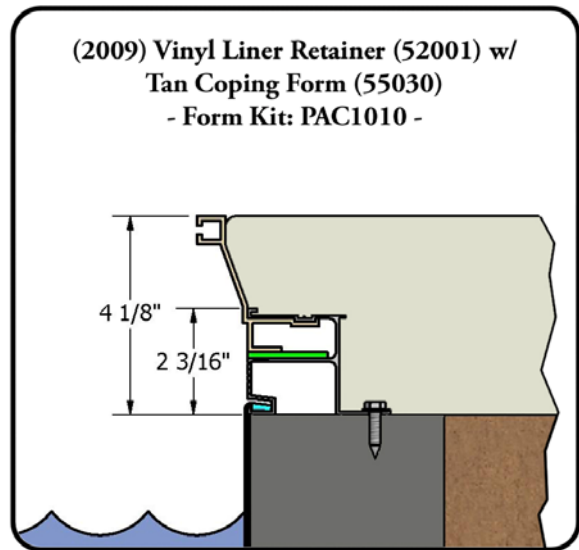
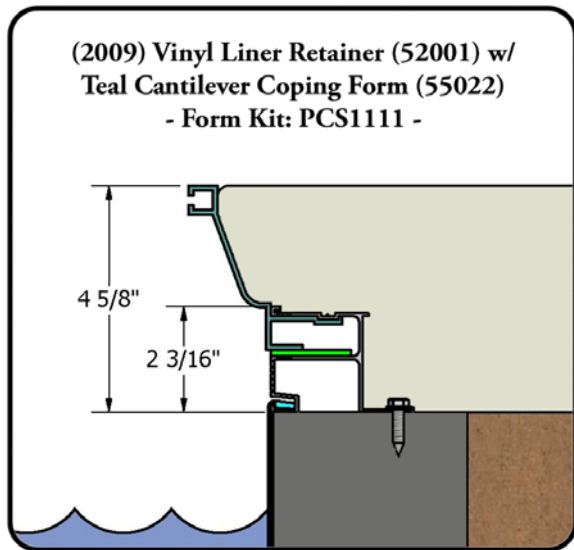


Coping Options for Vinyl Liner Pools

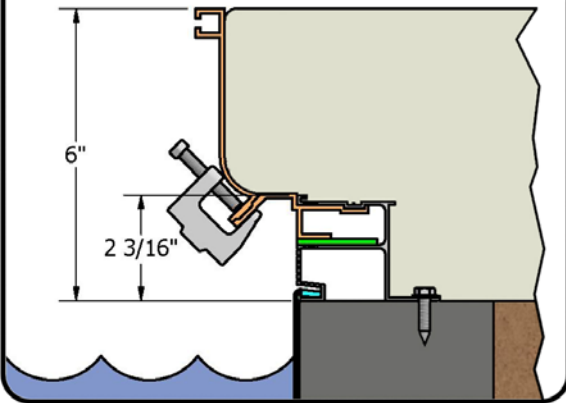
For Vinyl Liner pools, PCS offers a brand new Retainer option:

- **(2009) Vinyl Liner Retainer (52001)**

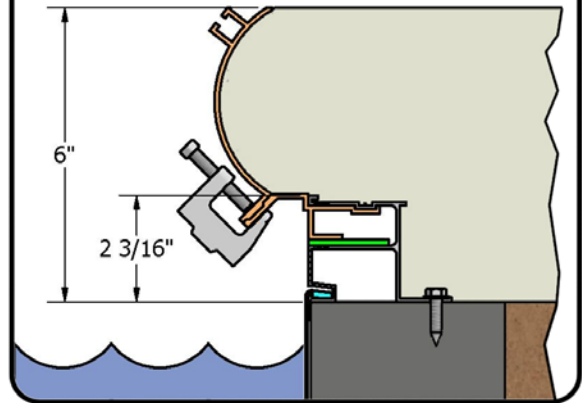
This Retainer is compatible with all seven of our Coping Forms. It can also be used for stone or brick copings. The following illustrations give specs for the Retainer / Coping applications.



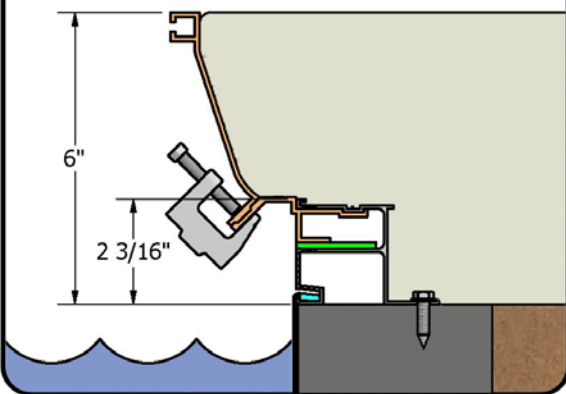
(2009) Vinyl Liner Retainer (52001) w/
2-Piece Straight Coping Form (55060)
- Form Kit: PCS2020 -



(2009) Vinyl Liner Retainer (52001) w/
2-Piece Round Top Coping Form (55061)
- Form Kit: PCS2222 -



(2009) Vinyl Liner Retainer (52001) w/
2-Piece Angle Coping Form (55062)
- Form Kit: PCS2121 -



2009 Vinyl Liner Retainer (52001) w/
Brick or Stone Coping

